



# Ground Zero Services

Volume 1, Issue 2

September 2000

## Seeking Asylum in Mississippi to Avoid Slavery

*Mississippi recognizes the stigma of being treated like a racial expletive*

**JIM**

Ground Zero Services of LB

A good witch once said "Click your heels together 3 times, Dorothy, and say: 'I want to go home, I want to go home, I want to go home'". In a frantic search for an escape route sometimes the most obvious one is ignored. Home is where your family is. Home is where you know what is expected of you and what can be expected from your "Homies".

I was born in California and moved to Mississippi where I finished High School, got married, and received a BSEE from Mississippi State University. Northrop Electronics in Hawthorne, CA hired me shortly after getting my degree, I cut the umbilical cord on all three of my girls, and ended up living one block away from the house I grew up in Long Beach, CA. My Mississippi housewife decided to free herself of me after 15 years, in all the worst possible ways. Abusing my youngest girl in my presence to try to provoke a physical confrontation, draining the bank accounts, openly having extramarital affairs, assassinating my character, and lying in court. The bottom line of this tumultuous end to our marriage left me desperately trying to survive on \$350 per week, while my 'insignificant other' was basking in the glory of her \$2,600

*Continued on page 2*

## Who Is the Ringmaster of This Circus?

*Who wants to pay to see the baby get thrown out with the bath water, and prosecuted for its involvement.*

**JIM**

Ground Zero Services of LB

"Ladies and gentlemen, boys and girls of all ages. Welcome to the greatest show on Earth" is the mandatory announcement to hail the beginning of every circus performance I ever attended. Sometimes there is so much going on, your attention must be directed by the Ringmaster. "In the center ring, high above the circus floor, for your amazement..." The performers provide the death defying feats and the clowns provide the slapstick. It is the ringmaster that blends the two types to achieve maximum enjoyment. It is safe to assume that performers have less

*Continued on page 2*

## Whose House Runs House?

*Life is a test of character and if you reach the end with a clear conscience and a sense of humor, you are a "superstar"*

**JIM**

Ground Zero Services of LB

Has the separation between church and state been breached? Has a religious contract drawn up by the faithful been used by the state to punish them? The faithful use terms like honor, cherish, and until death do we part. That is the solemn oath they made to their higher power and they intend to carry that charge into the fiery pits of Hell, because they have faith in a power that defies our understanding. Can we deny the existence of flatulence because we can not catch it and paint it green? The laws of even a first rate state, in a first rate country, on a first rate planet, in a first rate galaxy, can not supercede the laws imposed by their higher power. Do we expect the faithful to betray a solemn oath made to a higher power to satisfy the demands of a lower one? Every day we are faced with decisions that we resolved using

*Continued on page 2*

### INSIDE THIS ISSUE

- 1 Seeking Asylum in Mississippi to Avoid Slavery
- 1 Who Is The Ringmaster of This Circus?
- 1 Whose House Runs House?
- 2 Know Thy Self, If You Need Help Call The FBI
- 3 GZS Baselines Child Support Control System Part II
- 4 Child Support Control System Analysis Part II

## Know Thy Self, If You Need Help Call the FBI

*The FBI gets involved when a Federal mandate is misused to target taxpaying citizens of the United States*

**JIM**

Ground Zero Services of LB

I was one of the little boys that thought it would be cool to be a secret agent, like James Bond. Although I didn't fully appreciate the gorgeous ladies that got in his way until later in life, I was always in awe of his confidence. It wasn't until recently that I was clued in to the connection: "Chicks love confidence". A secret agent sometimes has to go out of his way to accomplish his mission, but sometimes he has to be 'bait'. Sometimes it is better to act like a target to find out who will try to target you. If you are allowed to play this role long enough those who are so desperately targeting you can be exposed and their motives uncovered. The trick, of course, is to "never let them see you bleed and always have an escape route". The other thing to keep in mind is that "the probability of finding one particular thing amongst everything is much lower than finding anything, that might be something, amongst everything". Just because the target is heterosexual does not necessarily mean the threat is homosexual. Just because the target is man does not necessarily mean the threat is a woman. Just because the target is a taxpayer does not necessarily mean the threat is a deadbeat. Although one might feel uncomfortable about deadbeat, homosexual, women, you can always include a Communist threat, or a deep space threat to the list of something, that might be anything, amongst everything. The intrigue and drama will fade away completely when you include anyone who is given the power to make a buck by targeting you. When it's all about money the game is very simple. Don't pay. See who wants your money the most, by observing how hard they try to get it. There are those who have it, and those who want it. Those who have it want to keep it. Those who want it may be willing to break the law to take it. The FBI gets involved when a Federal mandate is misused to target taxpaying citizens of the United States.

## Whose House Runs House? *Continued from page 1*

reason, logic, experience, and morality. Sometimes what would serve your best interest in the short term will compromise your life's goal in the long term. Everyone must realize that there is nothing but pure truth that prevails in our final judgment. To maintain plausible deniability in a courtroom like that requires vigilant adherence to a unified goal that is consistent with all things held sacred. The end never justifies the means. Life is a test of character and if you reach the end with a clear conscience and a sense of humor, you are a "superstar".

## Who Is the Ringmaster of This Circus?

*Continued from page 1*

longevity than the clowns do. "High above the circus floor, balancing on a tightrope and juggling oranges, Fido realized, he was an old dog, and this was a new trick".

Governments have citizens, companies have customers, and circuses have the audience. People will pay money to be part of the experience as long as they enjoy the show. The Romans found out that, gate receipts from watching innocent slaves getting thrown to the lions was less than lucrative. It may have been trendy at first, but since it wasn't the slave's idea to be there and the slave really didn't deserve it, it slowly lost its appeal. The bullfights in Mexico are similar, however the matadors choose to be there and the bulls don't deserve it. In the California Family courts, the dependent parent chooses to be there, however the breadwinner and the kids don't deserve it. The taxpayers that pay to watch the breadwinner thrown into the streets and systematically ruined financially and emotionally is less than appealing. Who wants to pay to see the baby get thrown out with the bath water, and prosecuted for its involvement.

## Seeking Asylum in Mississippi to Avoid Slavery *Continued from page 1*

per month. California gained jurisdiction on the dissolution of marriage, which eliminated a causal divorce under Mississippi Family Law. In Mississippi, the Family Law system would have frowned on abusing a child to provoke a physical confrontation to weasel into a domestic violence category. In Mississippi, they take a dim view of litigants lying to a court of law. In Mississippi they order the absent parent to pay 25% of his income instead of 50% as in California. In Mississippi, the civil courts still try to recognize who the reasonable litigant is, since the motivation for the dependent parent to get a divorce is not as lucrative. In Mississippi, the caseload is much less, allowing the court to be less apathetic about the welfare of the dependent children.

Mississippi is the only state that still recognizes a causal divorce. That is to say, they have a "Yo Fault" divorce policy where there exists some sense of decency. While other states sentence their citizens to indentured servitude "without prejudice to either party", Mississippi recognizes the stigma of being treated like a racial expletive. Mississippi continues to lead by example in the fair treatment of indentured servants, not by Federal Mandate, but by choice. Not because they may be able to make a buck off the process, but because it is the right thing to do. The Emancipation Proclamation was not written to shame the South, it was written to provide a rebuttable defense if the freedom of any United States citizen is threatened.

## **GZS Baselines Child Support Control System Part II**

*A system that gives anyone the power to inflict suffering on another is unconstitutional at least*

### **JIM**

Ground Zero Services of LB

Part I of this article explained that a process to be baselined must be allowed to continue to conclusion without being altered unnecessarily. The process in question is the child support system implemented in California. The baseline that is being established, is the record of events that transpire throughout this process. The individual forced into the process must adhere to the unified goal of preservation of the family, the welfare of the children, and preservation of one's prosperity.

The Federal government requires that each state establish a uniform child support guideline. The Judicial council establishes this guideline in California. The Family Law Civil courts impose the guideline with the help of attorneys, facilitators, custody evaluation psychologists, conciliation officers, etc. When the imposed child support forces the breadwinner into financial insolvency, the state Welfare organization is brought into the picture which automatically alerts the Criminal courts. The system then feeds back to the civil courts, when the financially ruined must try to bargain for leniency.

The overriding focus of this study is to observe the process with an eye toward the civil rights of all the participants. The civil rights of the parents as well as the children are important. In an ideal system, the well being of the family members before a divorce should be unchanged after the divorce. No participant should suffer more than the others should. If this were the case than there would be a clear incentive to get a divorce to begin with. A system that gives anyone the power to inflict suffering on another is unconstitutional at least.

The events that follow are documented in this case. They depict the tactics used by unscrupulous litigants.

- 1) Mother physically abuses 18-month-old child in front of the Father prior to separation.
- 2) Father successfully convinces Mother to start psychiatric counseling.
- 3) Mother continues physical abuse toward child.
- 4) Father informs psychiatrist of abuse.
- 5) Mother changes to LCSW.
- 6) Mother continues physical abuse toward child.
- 7) Father informs LCSW of abuse.
- 8) Mother continues physical abuse toward child.
- 9) Mother drains checking account and maxes out credit cards.
- 10) Mother calls 911 alleging domestic violence. Police allow her to take children from home to a friend's house.
- 11) Father informs Case Manager of health care provider of physical child abuse.
- 12) Mother obtains domestic violence restraining order and kick out order under false pretenses.
- 13) Case Manager of health care provider assigns psychiatrist for Mother and Father to understand child abuse.
- 14) Mother's lawyer writes letter to Case Manager forbidding any child abuse inquiries.
- 15) Mother files for legal separation and child support payments.
- 16) Father files for dissolution of marriage and informs the court of child abuse.
- 17) Court orders custody evaluation, and forces Father to pay \$2,600 per month based on Dissomaster child support guideline.
- 18) Father informs custody evaluation specialist of child abuse.
- 19) Custody evaluation expert feels that Mother may have psychological problems, evaluation will cost \$4,500.
- 20) Mother accuses Father of being alcoholic forcing both to undergo drug testing costing an additional \$2,200.
- 21) Mother slanders Father's roommate, saying he is a convicted rapist. Asks court for monitored visitation.
- 22) Custody evaluation report finds the Mother invalidated the psychological test by trying to lie, while the Father passed with flying colors. Drug tests on both indicated no drug use. Custody was awarded to Mother.
- 23) Trial date continued because report was delayed by continued attempts by Mother's lawyer to mislead the evaluation and obtain monitored visitation.
- 24) Mother's lawyer forces emergency court appearance, illegally using the custody evaluation report as basis for asking for monitored visitation.
- 25) Mother slanders Father's new roommate, saying he is a child molester and drug addict. Asks court for monitored visitation
- 26) Father unable to come up with \$270 for an agency to calculate how much money the Mother will receive from his retirement.
- 27) Father's lawyer withdraws from case.

## **INSIDE NEXT ISSUE**

- 1** Truth, Justice, and the American Way
- 1** Check Yourself Before You Wreck Yourself
- 1** Finding the Pope in the Pizza
- 2** Do You think I Have Eyes in the Back of My Head?
- 3** GZS Baselines Child Support Control System Part III
- 4** Child Support Control System Analysis Part III

# Child Support Control System Analysis II

**JIM**

Ground Zero Services of LB

The block diagrams shown below represent a typical family, before and after child custody is awarded by the civil courts. Figure One shows the breadwinner split into two parts, the employee and the parent. The employee receives money as well as support from the employer as long as his productivity is adequate. The parents are supported by the employee, by the employer, by the government, and by their children. The parents support the kids. Figure Two shows the custodial parent receiving tax-free money from the courts, free support from the government, and support from the kids. The kids receive support from the custodial parent and the employer.

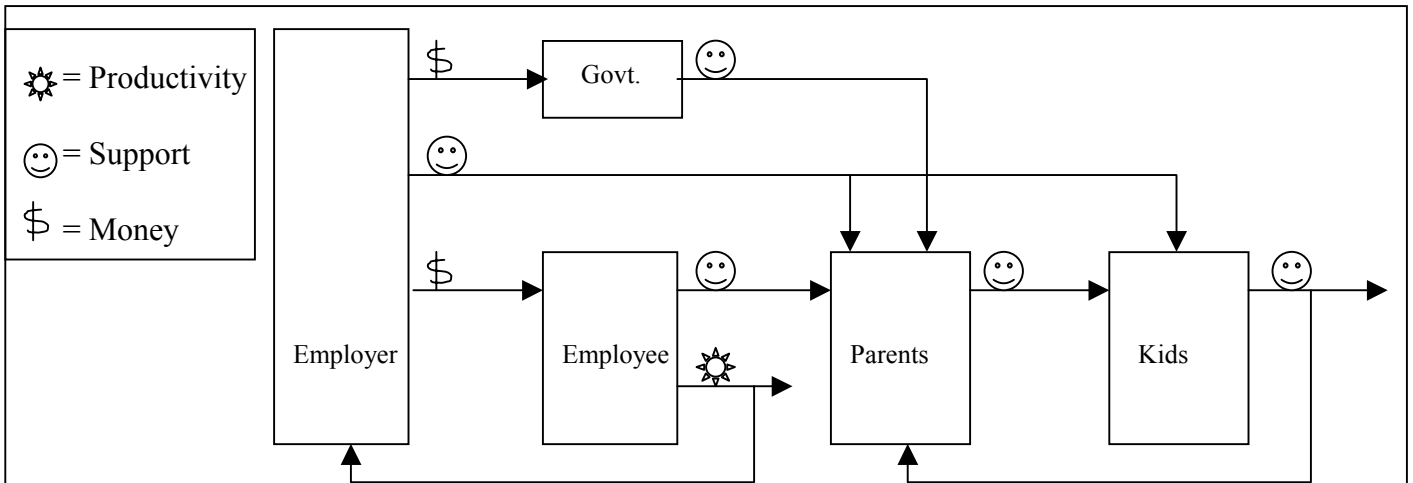


Figure One: Block diagram of typical family (the employee and the parent can be the same person)

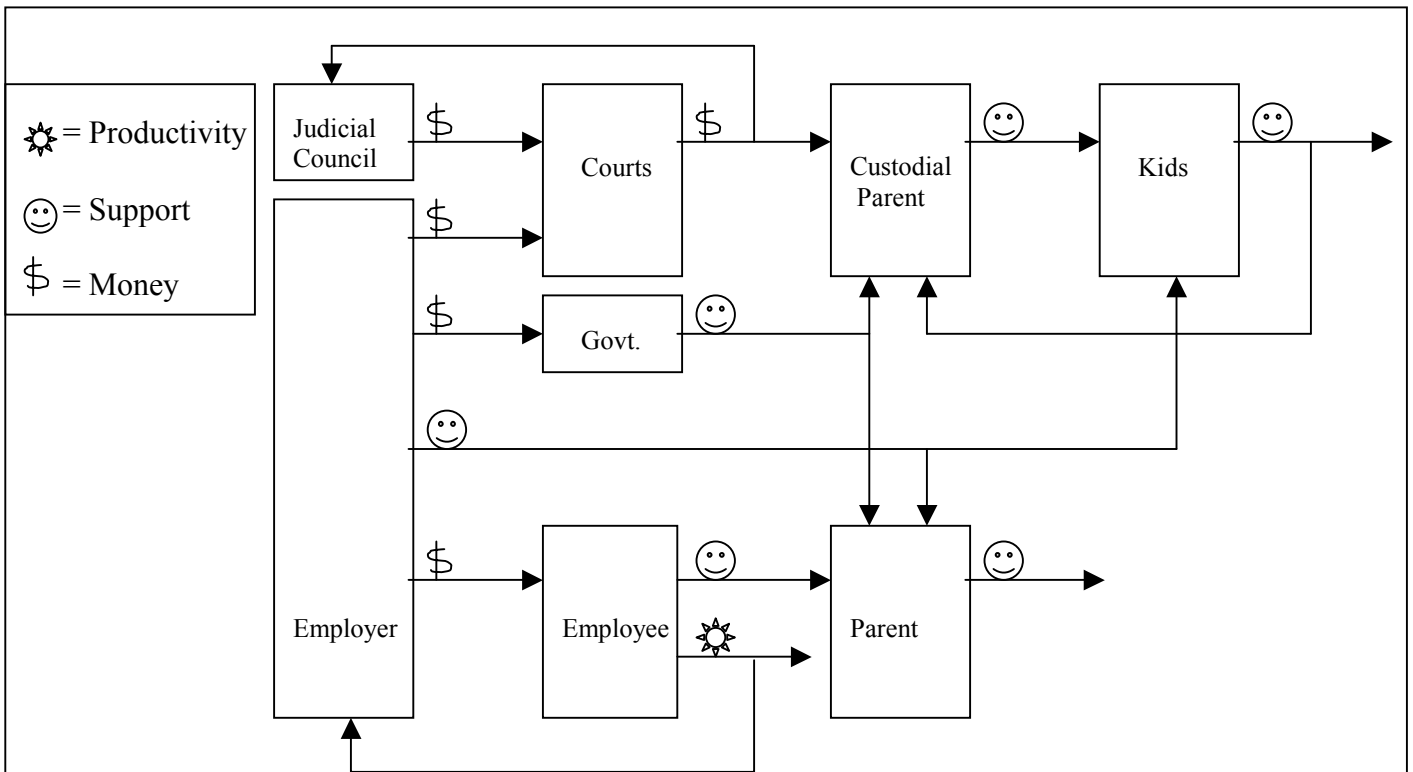


Figure Two: Block diagram of typical family after child custody is awarded by civil courts.

**Child Support Control System Analysis II** *Continued from page 4*

The block diagrams shown below represent a typical family, before and after prosecution of criminal courts. Notice that all money and support are tax-free to all members of this typical family.

Figure three shows the custodial parent receiving tax-free money from welfare, tax-free support from the government, and support from the kids. The kids receive support from the custodial parent.

Figure four shows the non-custodial parent receiving support from the prison.

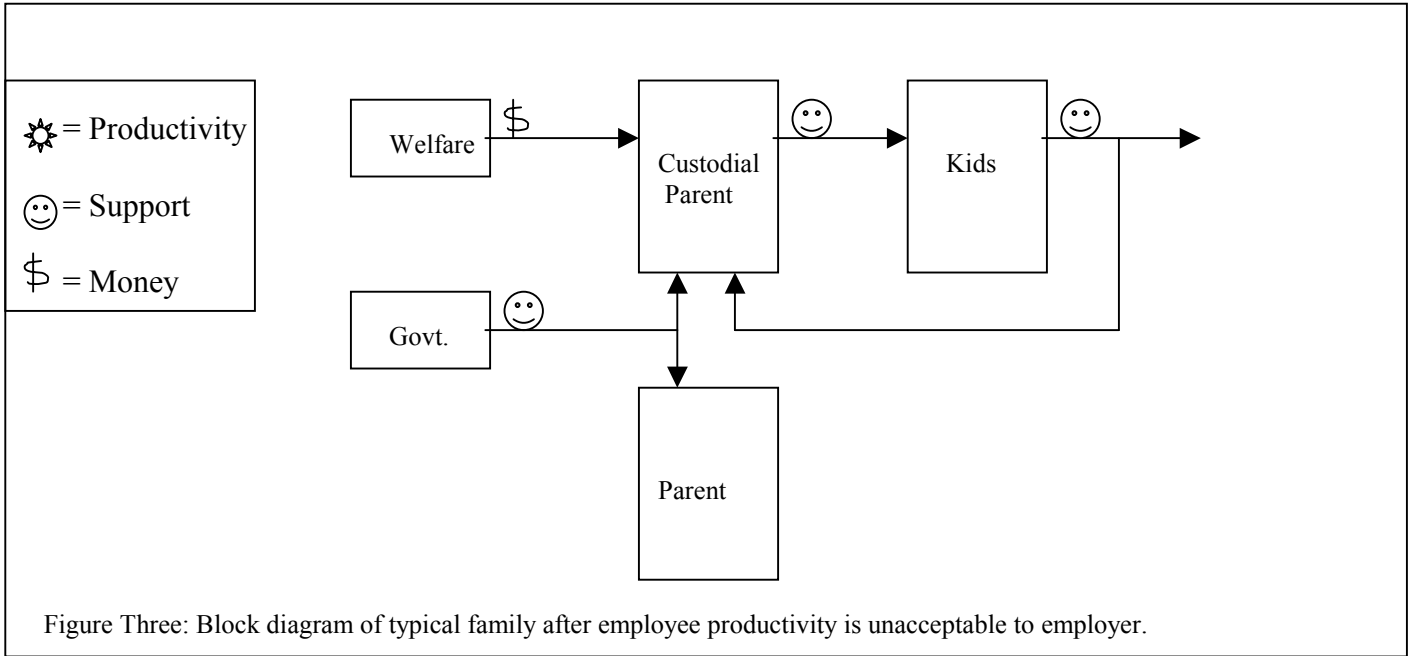


Figure Three: Block diagram of typical family after employee productivity is unacceptable to employer.

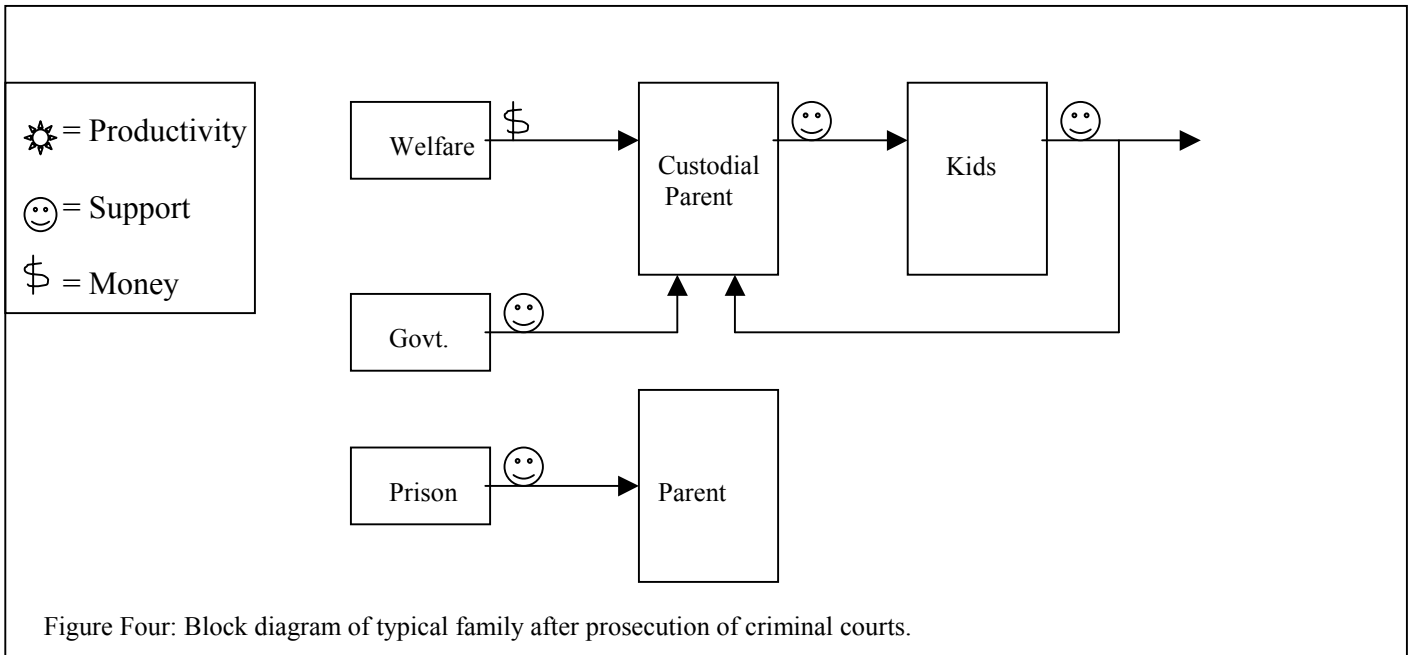


Figure Four: Block diagram of typical family after prosecution of criminal courts.